

EagleRE

ERE P-PERC

Power Output

340–355Wp

Facial Single Glass Module
182mm Silicon wafer with Half-cut Tech
To Improve Efficiency and Quality



► KEY FEATURES

- Industry Leading Module Efficiency, up to 21.6%
- Higher power output even under low-light environments like on cloudy or foggy days
- 12 years materials warranty, 25 years power warranty
- Wide application scenerios such as BIPV, snow field, vertical installation, high humidity, strong wind and desert region
- PID Resistance Technology



High module conversion efficiency



Outstanding performance in weak-light conditions



Lower operating temperature



Half-cell and MBB design



Extended wind and snow load tests



Withstanding harsh environment

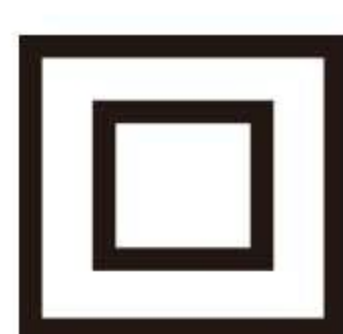


Use Scenario customization

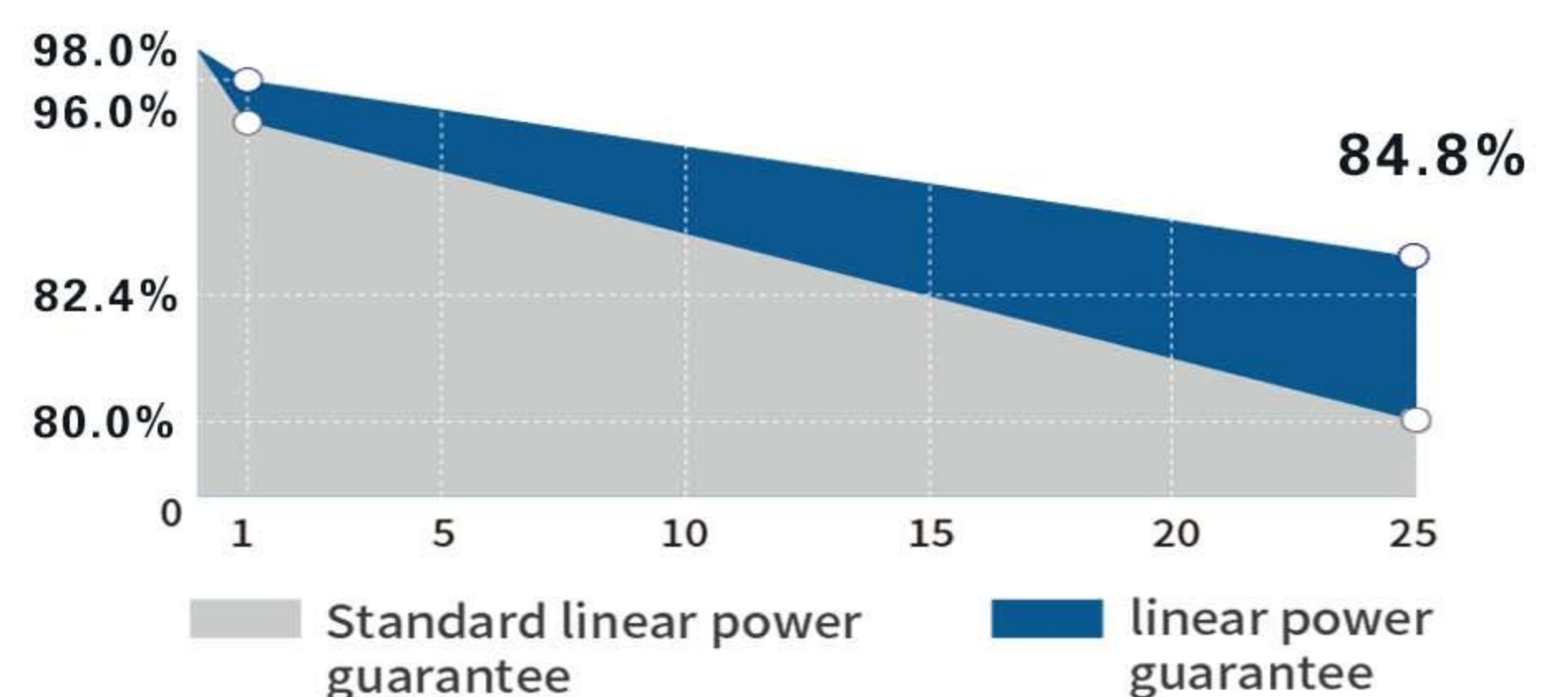
► QUALITY SYSTEM CERTIFICATES

ISO9001 | ISO14001 | IEC 61215 | IEC 61730
IEC 62716 | IEC 61701 | IEC TS 62804-1
IEC 60068-2-68

Specific information is referred to the product quality guarantee



► WARRANTY



12 YEAR Materials and workmanship warranty

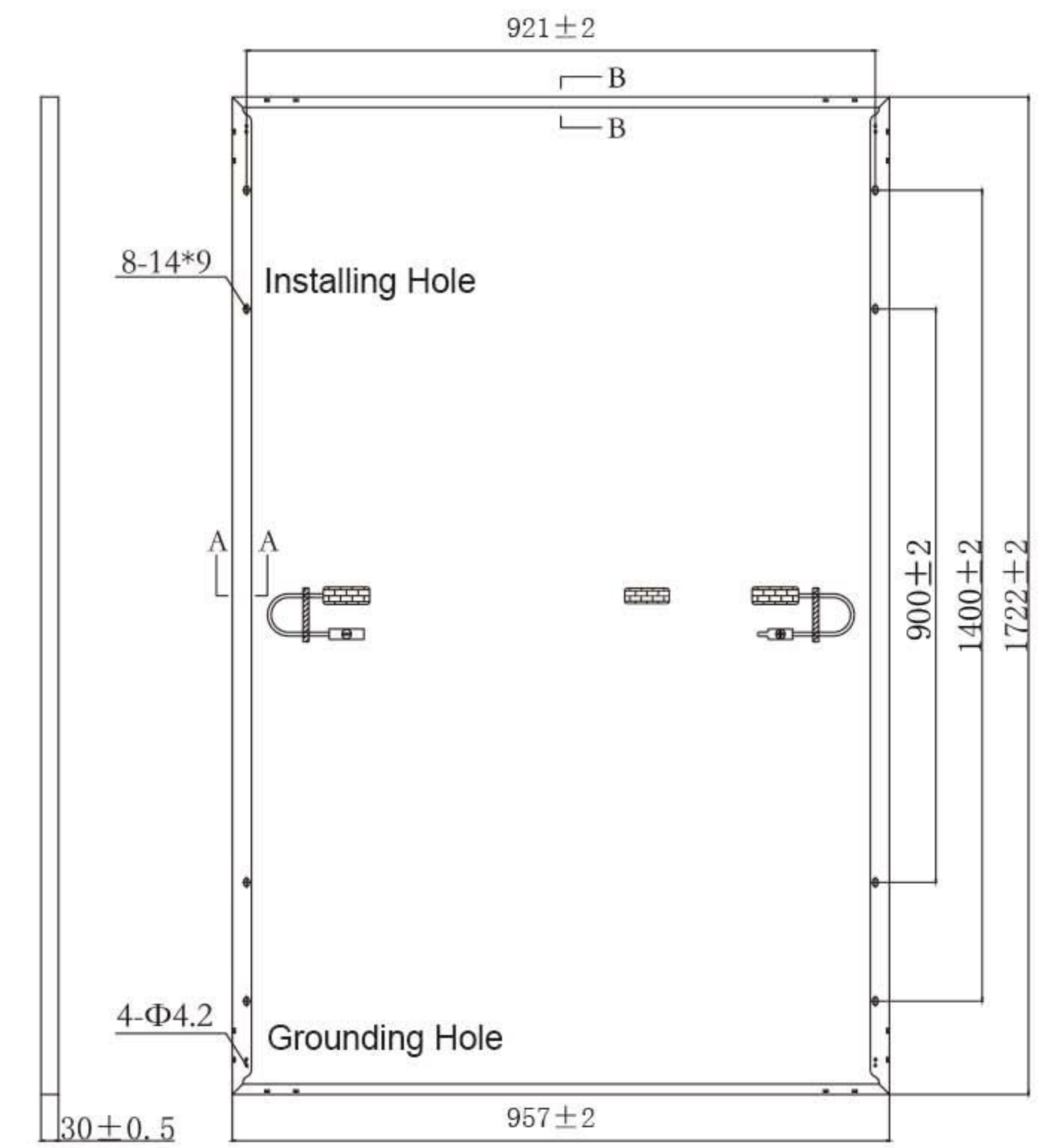


25 YEAR Linear power warranty

Electrical Properties (STC *)

Module Type	ERE-340-182P-45	ERE-345-182P-45	ERE-350-182P-45	ERE-355-182P-45
Testing Condition	Front	Front	Front	Front
Maximum Power P_{mp}	340W	345W	350W	355W
Open Circuit Voltage- V_{oc}	30.70V	30.85V	31.00V	31.15V
Short Circuit Current- I_{sc}	14.15A	14.25A	14.35A	14.45A
Max Power Voltage- V_{mp}	25.80V	25.95V	26.10V	26.25V
Max Power Current- I_{mp}	13.20A	13.30A	13.42A	13.54A
Module Efficiency STC η_m	20.7%	20.9%	21.3%	21.6%
Power Tolerance(W)	(0, +5W)			
Maximum System Voltage	1500V DC (IEC)			
Max Series Fuse Rating	25A			

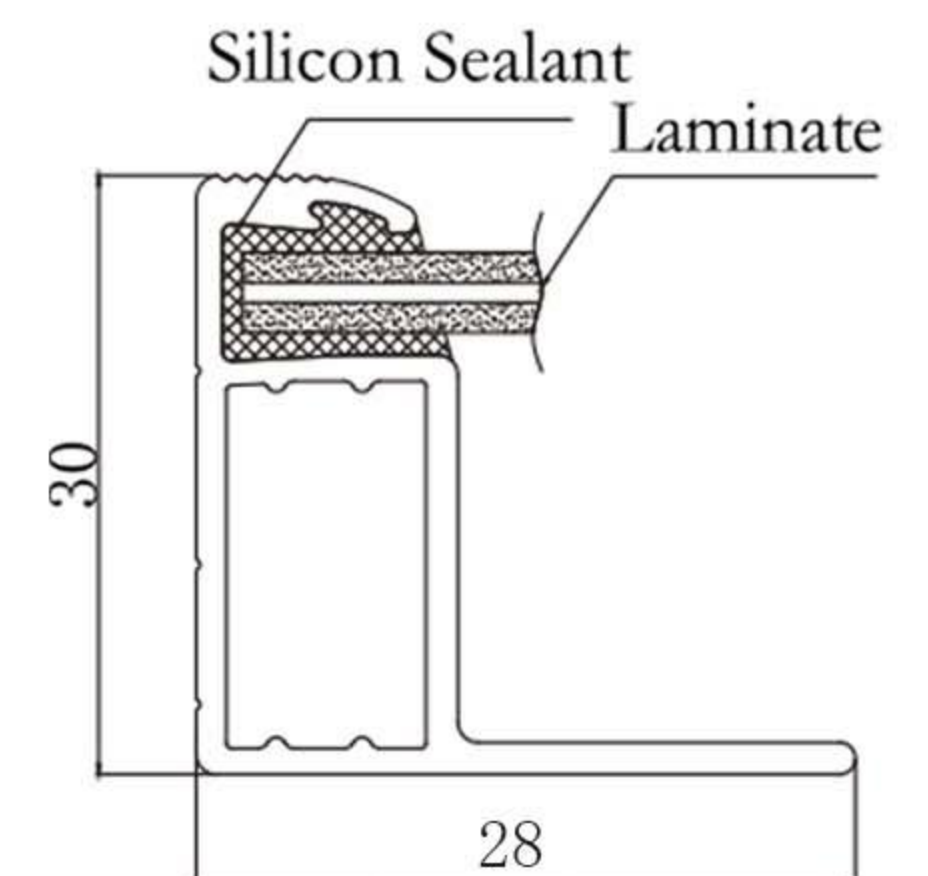
*STC: Irradiance 1000W/m², module temperature 25, AM=1.5
Optional black frame or white frame module according to customer requirements



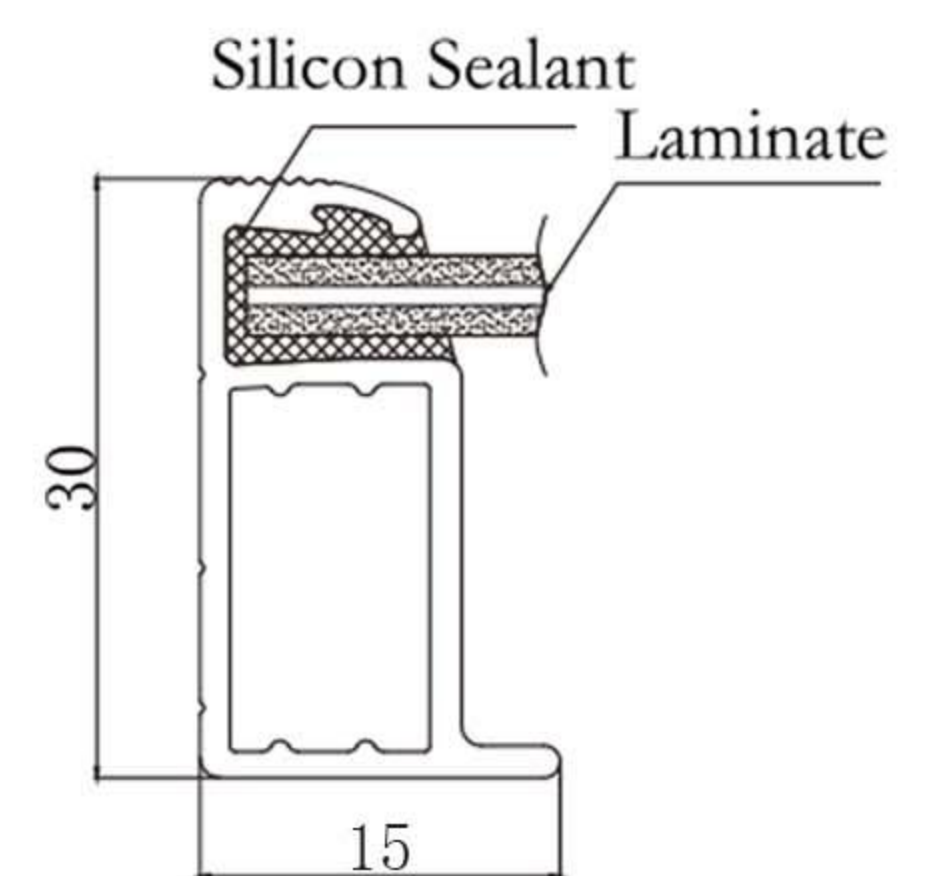
Electrical Properties (NMOT *)

Module Type	ERE-340-182P-45	ERE-345-182P-45	ERE-350-182P-45	ERE-355-182P-45
Testing Condition	Front	Front	Front	Front
Maximum Power P_{mp}	253.0W	255.0W	259.0W	263.0W
Open Circuit Voltage- V_{oc}	29.10V	29.31V	29.45V	29.59V
Short Circuit Current- I_{sc}	11.42A	11.54A	11.62A	11.70A
Max Power Voltage- V_{mp}	24.50V	24.65V	24.80V	24.94V
Max Power Current- I_{mp}	10.35A	10.37A	10.47A	10.56A

*NMOT: Irradiance 800W/m², ambient temperature 20°C, AM=1.5, wind speed 1m/s



A Long Frame

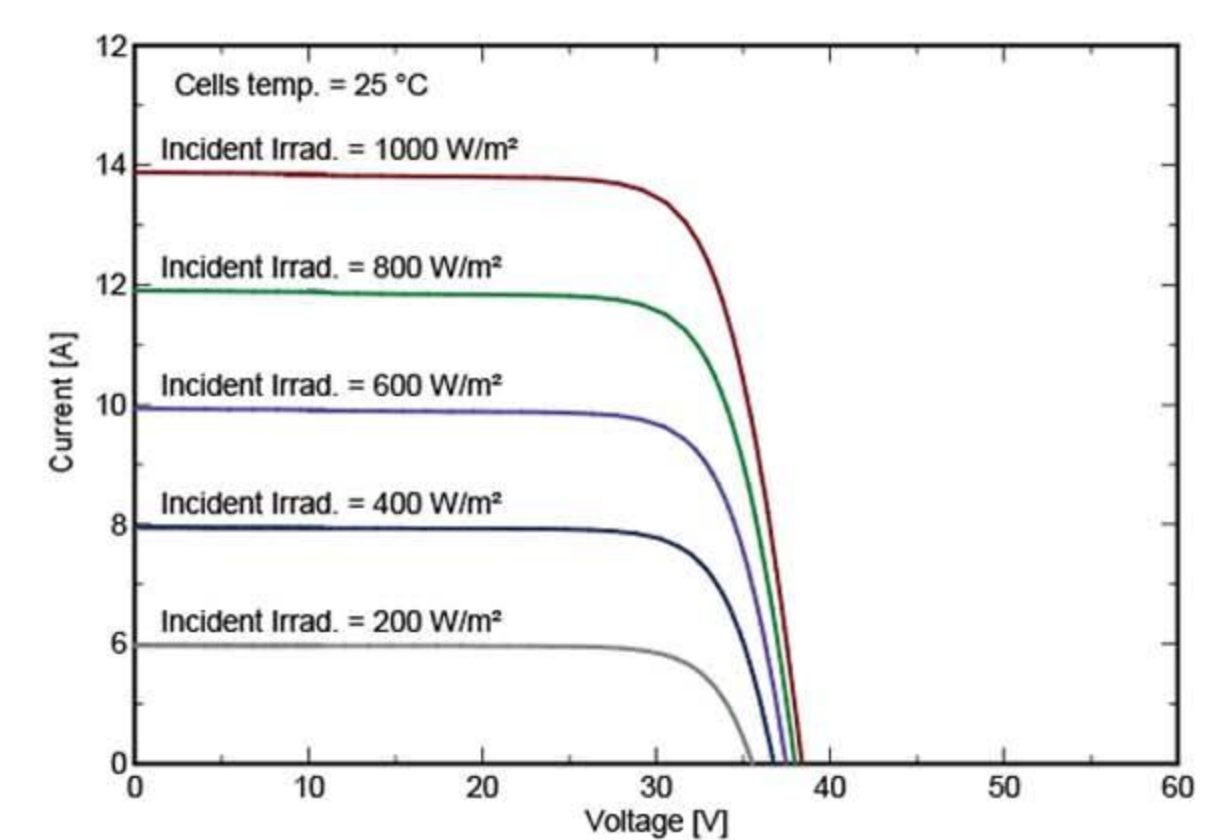


B Short Frame

Temperature Characteristic

Pmax Temperature Coefficient	-0.350%/°C
Voc Temperature Coefficient	-0.280%/°C
Isc Temperature Coefficient	+0.048%/°C
Operating Temperature	-40°C ~ +85°C
Nominal Operating Cell Temperature	45±2°C

IV Curve



Mechanical Specifications

External Dimension	1722x957x30mm
Weight	18kg
Solar Cell	P-PERC 182(P)
GLASS	3.2mm
Frame	Anodized aluminum alloy
Junction Box	IP68, 2diodes, MC4 / MC4 Compatible
Output Cables	2.5mm ² , 300mm Length (can be customized)
Mechanical Load	Front side 5400pa/Back side 2400pa
Packing Configuration	36pcs/box, 936pcs/40HQ Container

