

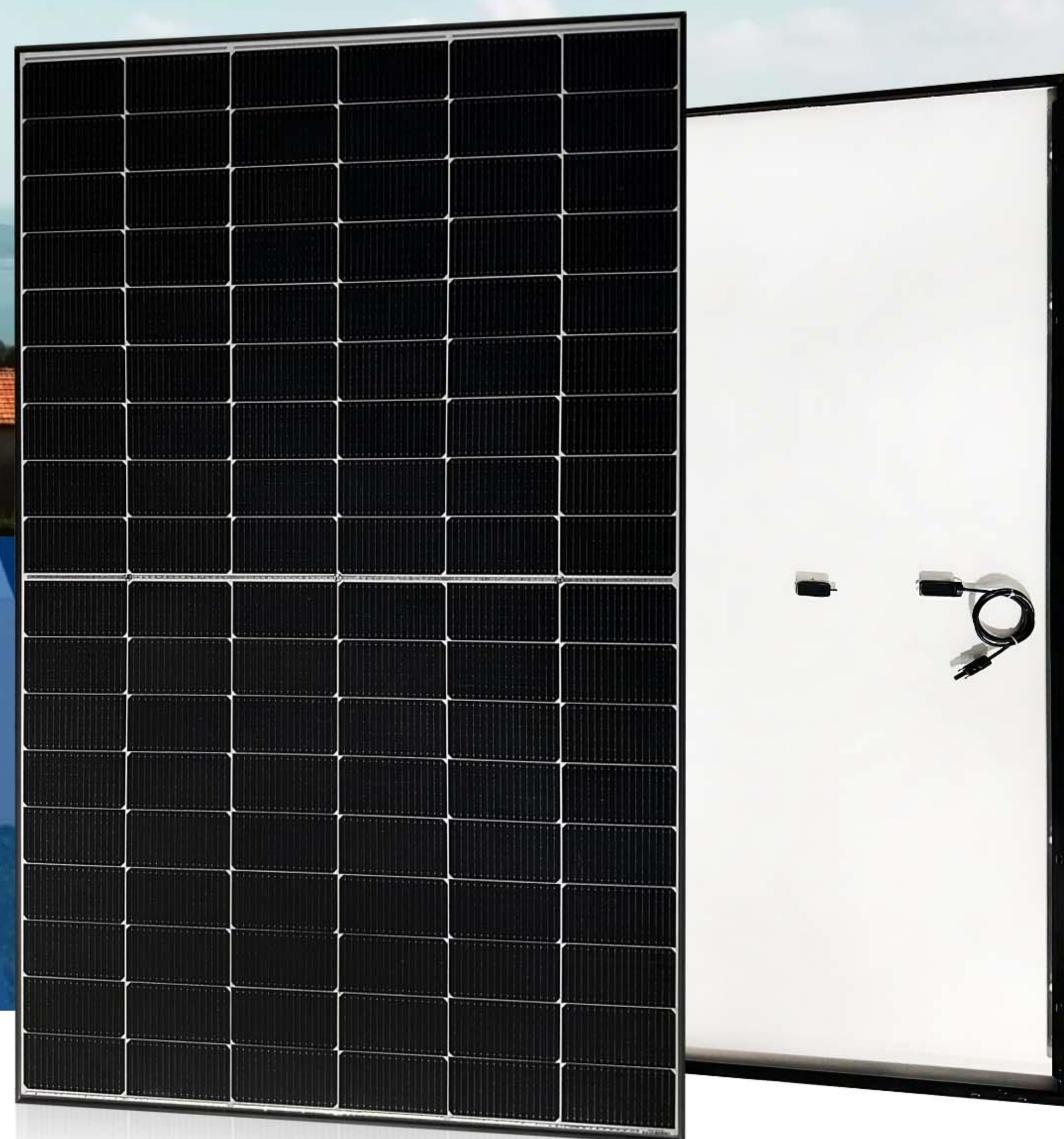
EagleRE

FALCON N-TOPCon

Power Output

415-435Wp

Facial Single Glass Module
182mm Silicon wafer with Half-cut Tech
To Improve Efficiency and Quality



► KEY FEATURES

- Industry Leading Module Efficiency, up to 22.3%
- Higher power output even under low-light environments like on cloudy or foggy days
- 12 years materials warranty, 30 years power warranty
- Wide application scenerios such as BIPV, snow field, vertical installation, high humidity, strong wind and desert region
- PID Resistance Technology



High module conversion efficiency



Outstanding Performance in weak-light conditions



Lower operating temperature



Half-cell and MBB design



Extended wind and snow load tests



Withstanding harsh environment

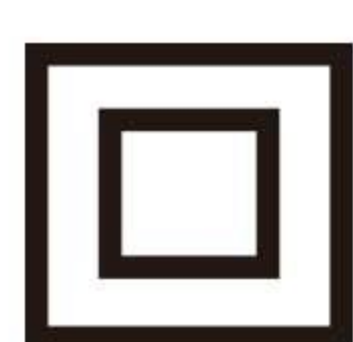


Use Scenario customization

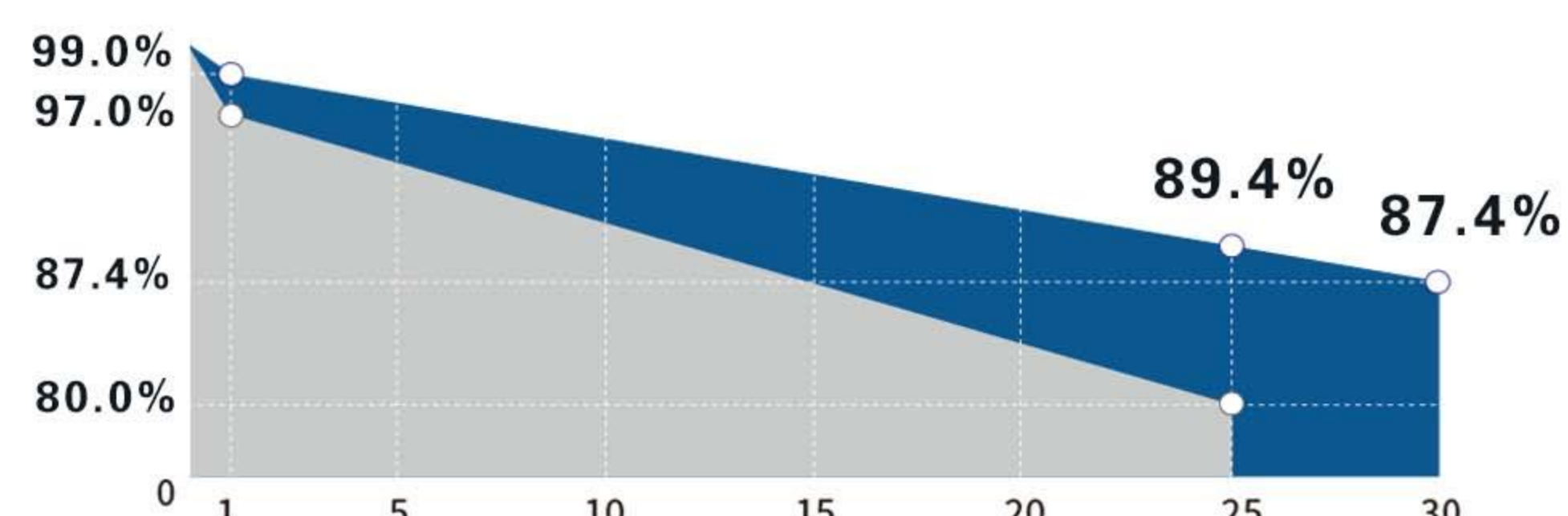
► QUALITY SYSTEM CERTIFICATES

ISO9001 | ISO14001 | IEC 61215 | IEC 61730
IEC 62716 | IEC 61701 | IEC TS 62804-1
IEC 60068-2-68

Specific information is referred to the product quality guarantee



► WARRANTY



Standard linear power guarantee

Linear power guarantee



12 YEAR Materials and workmanship warranty

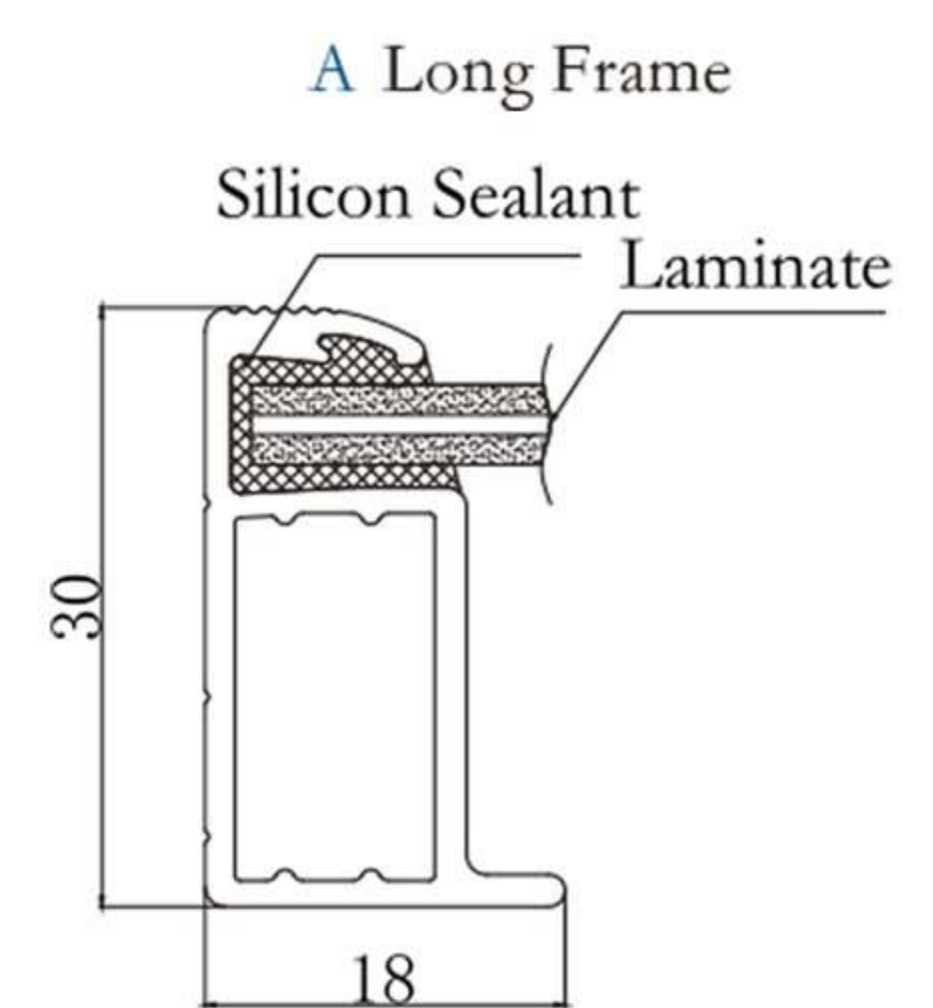
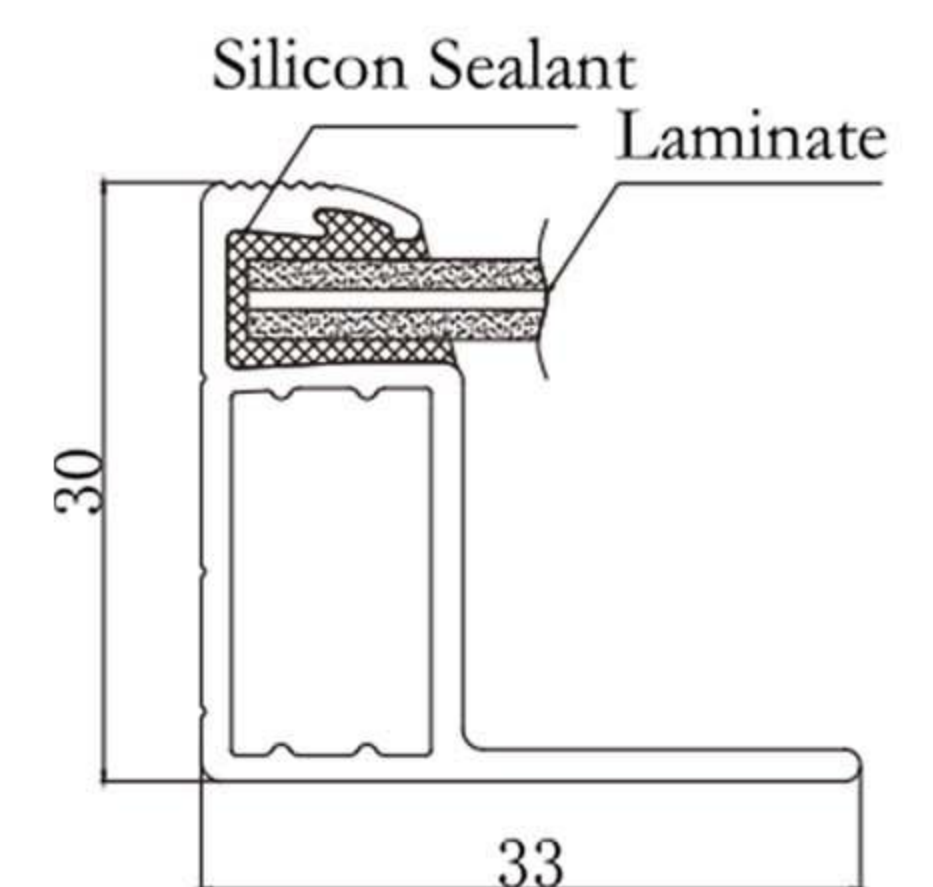
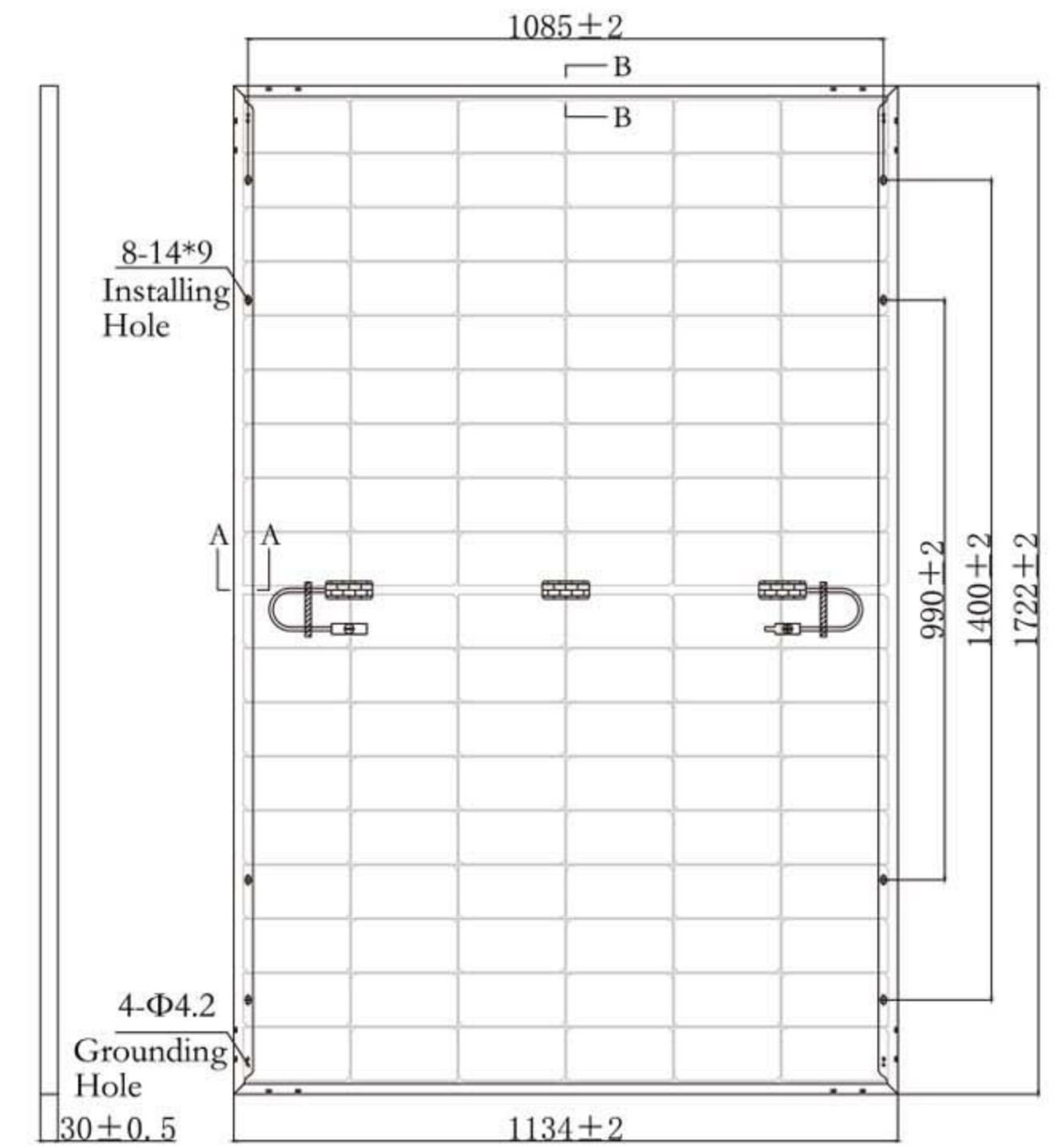


30 YEAR Linear power warranty

Electrical Properties (STC *)

Module Type	FL-415-182NT-54	FL-420-182NT-54	FL-425-182NT-54	FL-430-182NT-54	FL-435-182NT-54
Testing Condition	Front	Front	Front	Front	Front
Maximum Power P_{mp}	415W	420W	425W	430W	435W
Open Circuit Voltage- V_{oc}	37.8V	38.00V	38.20V	38.30V	38.40V
Short Circuit Current- I_{sc}	13.99A	14.07A	14.15A	14.23A	14.31A
Max Power Voltage- V_{mp}	31.30V	31.50V	31.70V	31.90V	32.00V
Max Power Current- I_{mp}	13.26A	13.34A	13.42A	13.50A	13.60A
Module Efficiency STC η_m	21.3%	21.5%	21.8%	22.1%	22.3%
Power Tolerance(W)	(0, +5W)				
Maximum System Voltage	1500V DC (IEC)				
Max Serise Fuse Rating	25A				

*STC: Irradiance 1000W/m², module temperature 25, AM=1.5
Optional black frame or white frame module according to customer requirements



Electrical Properties (NMOT *)

Module Type	FL-415-182NT-54	FL-420-182NT-54	FL-425-182NT-54	FL-430-182NT-54	FL-435-182NT-54
Testing Condition	Front	Front	Front	Front	Front
Maximum Power P_{mp}	315.0W	319.0W	323.0W	327.0W	331.0W
Open Circuit Voltage- V_{oc}	36.29V	36.48V	36.70V	36.80V	36.90V
Short Circuit Current- I_{sc}	11.33A	11.37A	11.40A	11.47A	11.53A
Max Power Voltage- V_{mp}	30.05V	30.24V	30.40V	30.60V	30.70V
Max Power Current- I_{mp}	10.48A	10.54A	10.63A	10.69A	10.78A

*NMOT: Irradiance 800W/m², ambient temperature 20°C, AM=1.5, wind speed 1m/s

Temperature Characteristic

Pmax Temperature Coefficient	-0.290%/°C
Voc Temperature Coefficient	-0.250%/°C
Isc Temperature Coefficient	+0.045%/°C
Operating Temperature	-40°C~+85°C
Nominal Operating Cell Temperature	45±2°C

Mechanical Specifications

External Dimension	1722*1134*30 mm
Weight	21kg
Solar Cell	N-TOPCon 182(N)
GLASS	3.2mm
Frame	Anodized aluminum alloy
Junction Box	IP68, 2diodes, MC4 / MC4 Compatible
Output Cables	4mm ² , 300mm Length (can be customized)
Mechanical Load	Front side 5400pa/Back side 2400pa
Packing Configuration	36pcs/box, 936pcs/40HQ Container

IV Curve

